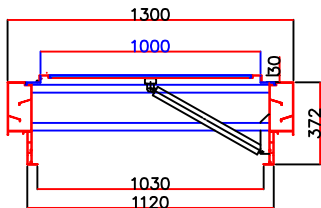
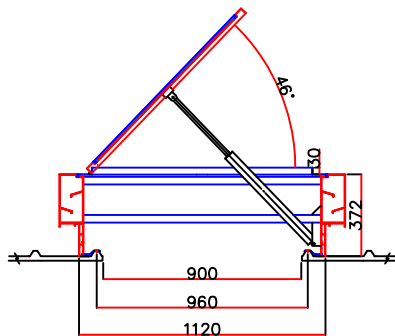


When it's closed



When it's opened



Opening Area: $0.75 \times 1 = 0.75\text{m}^2$

Product Dimension: 1300mm x 900mm x 372 mm

Installation along corrugated sheet