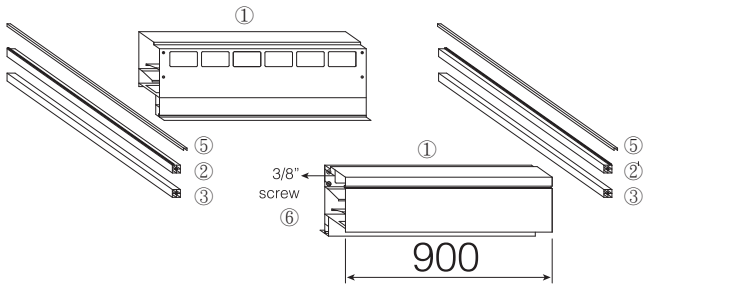
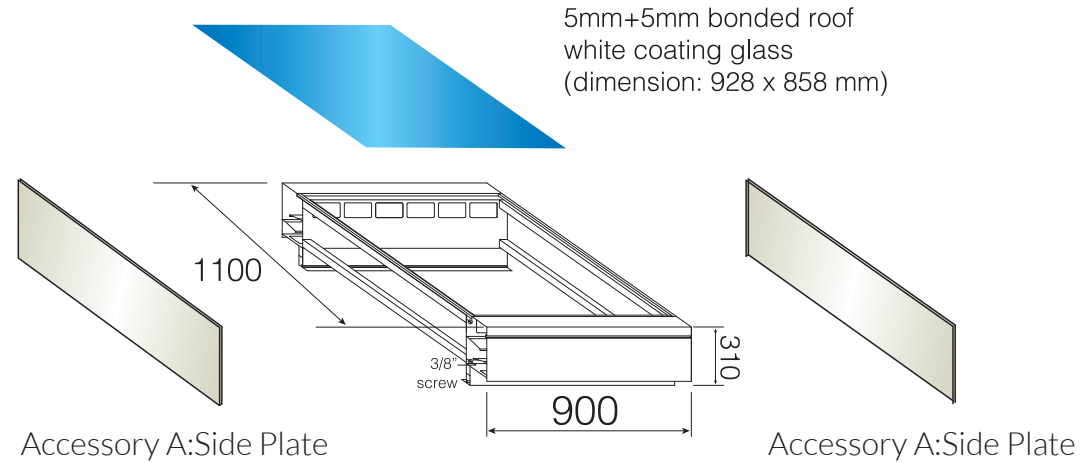


Basic contents for single unit



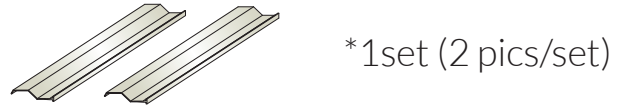
- ① Exhaust tube
- ② Connecting bar with tenon
- ③ Connecting bar
- ④ 3/8" screw
- ⑤ Side frame cover



Accessory A: Side Plate

Unit: mm

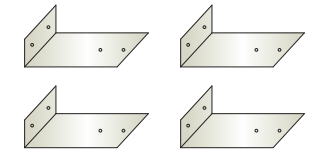
**Corrugated sheet installation needs



*1set (2 pics/set)

Accessory B: Corrugated sheet fixed plate

**Central ridge installation needs



*1 set (4 pics/set)

Accessory C: Central ridge enforcement plate